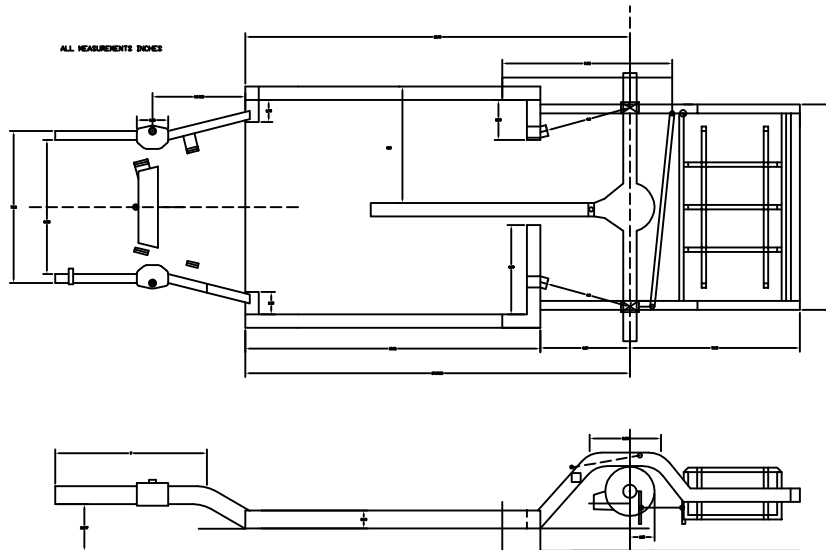
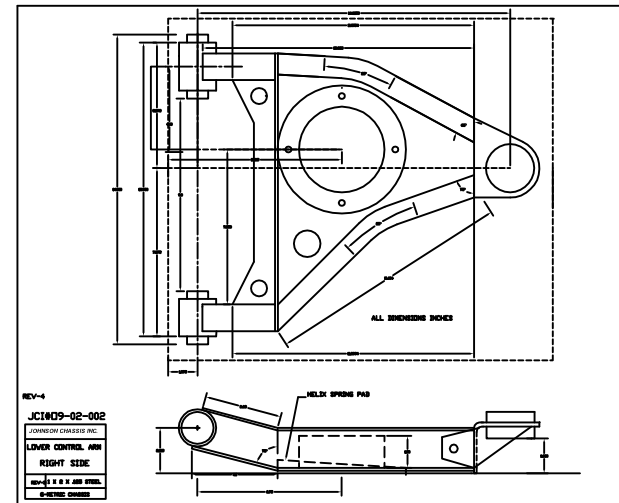
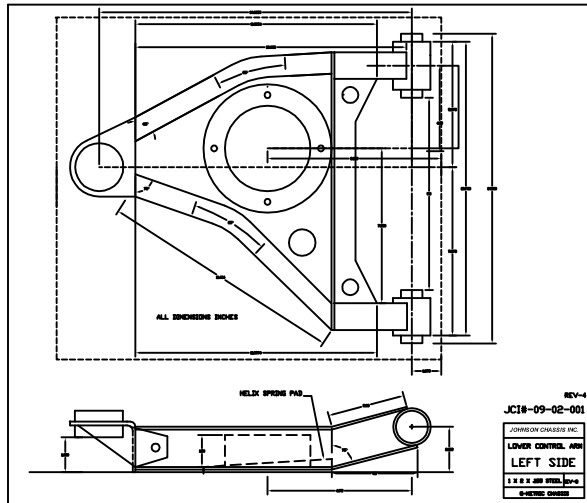


X-Y-G METRIC



G-METRIC
REAR CONTROL ARM
1 1/4" X 2" X .125" STEEL
ALL DIMENSIONS IN INCHES

