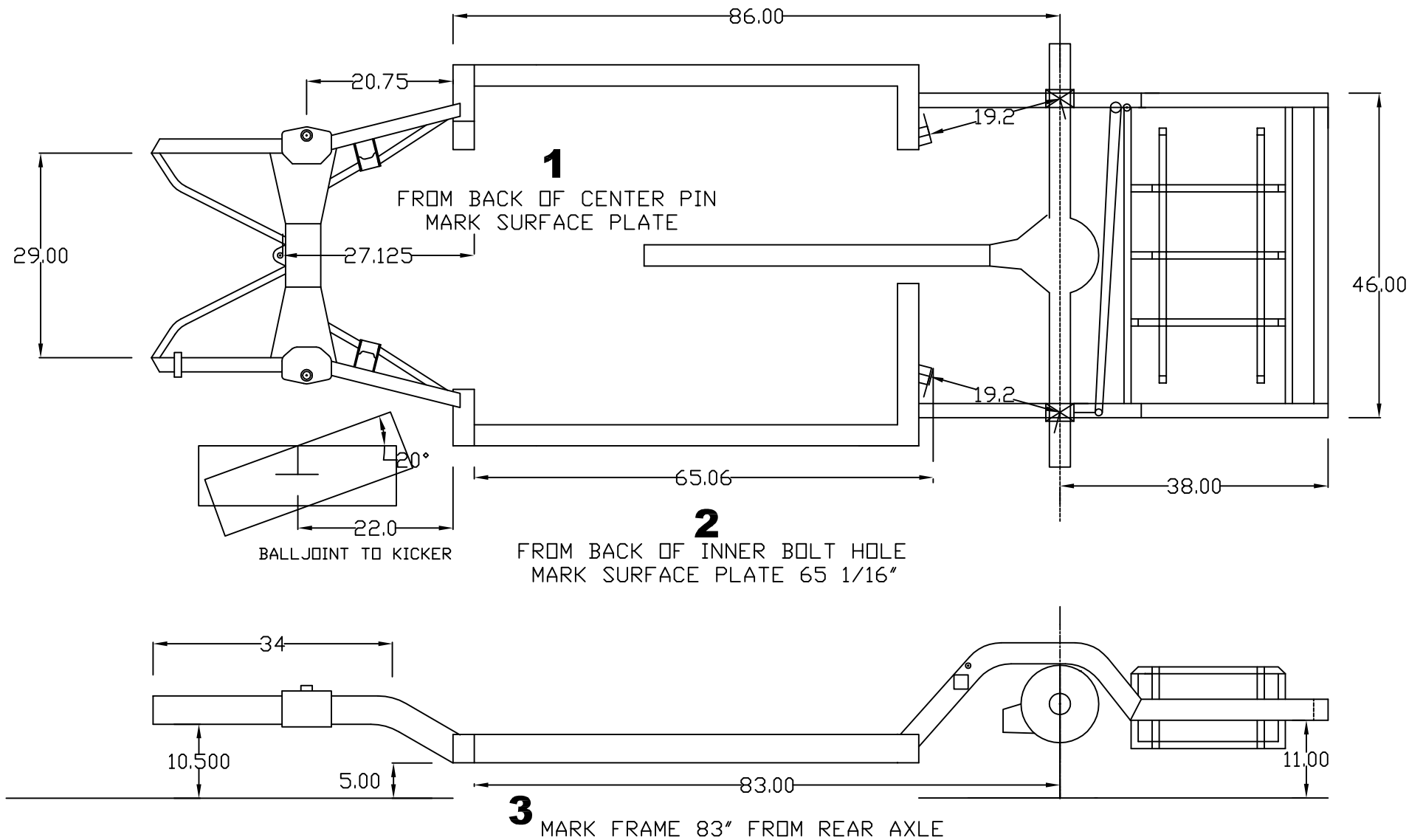


X-Y-G METRIC TUBULAR SUB-FRAME INSTALLATION

ALL MEASUREMENTS INCHES



VERIFY STEPS **1-2-3** AND MAKE ADJUSTMENTS BEFORE CUTTING.....



X-Y-G METRIC **TUBULAR SUB-FRAME INSTALLATION**

MEASURE 3 TIMES CUT ONCE

- 1 - FOLLOW STEPS 1-2-3 FROM INSTALLATION BLUEPRINT TO ESTABLISH A POINT TO CUT STOCK FRAME. MEASUREMENTS FROM STEPS 1-2-3 SHOULD ALL AGREE.....MAKE ANY NEEDED ADJUSTMENTS**
CUT FRAME
- 2 - MEASURE FRAME WIDTH**
- 3 - CLAMP KICKERS TO A STRAIGHT PIECE OF TUBING WITH THE OUTSIDE ENDS THE WITH OF YOUR FRAME RAILS. APPROX 54"**
- 4 - PLACE THE SUB-FRAME ON A LEVEL SURFACE WITH THE BACK OF THE SUB-FRAME SETTING ON THE KICKERS.**
- 5 - SET FRONT OF SUB-FRAME HEIGHT WITH THE CENTER OF THE TOP FRONT STEERING BOX BOLT AT 10"**
- 6 - CENTER SUB-FRAME ON KICKERS AND TACK WELD**
- 7 - IF FRAME IS FLAT ON PLATE SET KICKERS ON PLATE.
IF FRAME IS RAISED OFF SURFACE PLATE TACK A PIECE OF SCRAP TO BOTTOM OF FRAME EXTENDING FORWARD FOR KICKERS TO SIT ON.**
- 8 - PLACE SUB-FRAME DOWN OVER CENTER PIN AND CENTER KICKERS TO OUTSIDE OF FRAME. RESET 10" STEERING BOX MEASUREMENT.
(ADD RIDE HEIGHT TO 10" IF RAISED OF PLATE)**
- 9 - WELD SUB-FRAME TO MAIN FRAME. CAP END OF KICKERS EXTENDING CAP OVER MAIN RAILS A MINIMUM 2".**

NOTES

X-Y-G METRIC BOTTOM OF CROSSMEMBER IS APPROX 1" HIGHER THAN STOCK GM METRIC CROSSMEMBER.

SUB-FRAMES ARE SHIPPED WITHOUT KICKERS AS OVERSIZE PALLET DOUBLES FREIGHT